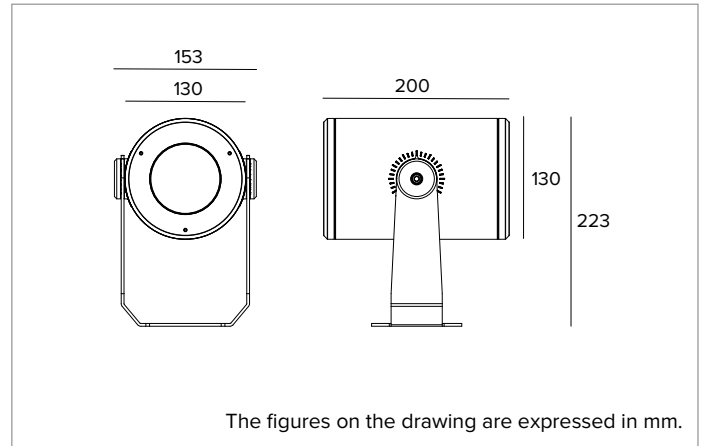


## 1E3987EL | DART Round Medium Professional adjustable LED projector



		4000K	H(m)	D(m)	Emax(lx)	
		Ra80		5°		
TS1668	Imax=62727cd/klm	Fixture Power	8W	1	0.09	46669
		Source Flux	744lm	2	0.17	11667
		Fixture Flux	558lm	3	0.26	5185
		Efficacy	70lm/W	4	0.34	2917
		Imax	46669cd	5	0.43	1867



### SOURCE

Light module with high power and high efficiency Ra80 LED sources. Ra90 version available on request.

**Energy efficiency class:** E

**Nominal power:** 6,3W

**Nominal flux:** 744lm

**Colour rendering index:** 80

**Rf:** 84

**Rg:** 93

**CCT nominal:** 4000K

**Lifetime (L80/B10):** >50000h tq +25°C

### ILLUMINOTECHNICAL CHARACTERISTICS

NSP version: precision methacrylate lenses and spreader filter.

**Optic:** LENS

**Beam angles:** NSP

**Optical efficiency:** 75%

**Fixture flux:** 558lm

**Luminous efficacy:** 70lm/W

**Photobiological safety:** Compliant with RG1 low risk group

### MECHANICAL CHARACTERISTICS

Painted die-cast anodised aluminium body and painted stainless steel mounting bracket. Tempered extra clear front glass.

**Colour and finish:** Ferrite

**Weight:** 3.45Kg

**Degree of protection:** IP66

**Mechanical Resistance:** IK10

### ELECTRICAL CHARACTERISTICS

Version with integrated electronic ON-OFF power supply. Precabled with a 1.5m long feeding cable H07RN-F.

**Fixture Power:** 8W

**Power supply:** 220-240Vac 50/60Hz

**Insulation Class:** CLASS 1

**Type of driver / Control:** ON-OFF

**Driver included:** YES

**SAFE FLICKER:** PstLM=<1 and SVM=<0.4 (IEC TR 61547-1 and IEC TR 63158), to ensure a more comfortable and safe light

**Ambient temperature:** -25°C / +35°C

### INSTALLATION

Mounting bracket with aiming adjustability. Adjustable up to ±45° on the horizontal pane and +90°/-45° on the vertical plane.

### NOTES

Uses the "Waterblock Smart" technical solution that involves resin coating the connection cables, limiting the risk of humidity reaching the driver or the fixture. It is possible to subject the product to Cataphoresis treatment on request. 110-277Vac version available on request.

### WARRANTY

5 years.

### WARNING

Luminaire designed for disposal/recycling at end-of-life. Replaceable (LED only) light source by a professional. Replaceable control gear by a professional.

Due to the technological evolution of the electronic components, the data provided may be updated, and as such, confirmation must be requested during the order process.

Luminous flux and power supply have +/-10% tolerances with respect to the indicated value. tq +25°C (CIE 121).

We reserve the right to make technical changes.

Targetti Sankey S.r.l.  
Via Pratese, 164  
50145 Firenze - Italy  
Tel: +39 055 37911  
targetti.com  
targetti@targetti.com

CCIAA Firenze  
Share Capital:  
€ 500.000,00  
VAT N. (IT):  
01537660480  
R.E.A: FI-275656

**TARGETTI**

# 1E3987EL | DART Round Medium Professional adjustable LED projector

## Accessories

### Filter



Colour	Code
	<b>1E4263</b>

Blade of light filter.  
PMMA holographic filter for a blade of light effect.  
Completed with powder coated aluminum alloy holder ring.  
Only for NSP version.

### Screen



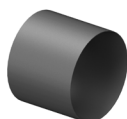
Colour	Code
	<b>1E4007</b>

Asymmetric screen.  
Powder coated stainless steel.



Colour	Code
	<b>1E4008</b>

Cylindrical screen.  
Powder coated stainless steel.  
Short version.



Colour	Code
	<b>1E4058</b>

Cylindrical screen.  
Powder coated stainless steel.  
Long version.

### Mounting System



Colour	Code
	<b>1E3026</b>

Plate for fixture rotation.  
Powder coated stainless steel.



Dimensions ØxH mm	Colour	Code
96x182		<b>1E3028</b>

Earthspike.  
Powder coated stainless steel.

*Due to the technological evolution of the electronic components, the data provided may be updated, and as such, confirmation must be requested during the order process.  
Luminous flux and power supply have +/-10% tolerances with respect to the indicated value. tq +25°C (CIE 121).*

We reserve the right to make technical changes.

Targetti Sankey S.r.l.  
Via Pratese, 164  
50145 Firenze - Italy  
Tel: +39 055 37911  
targetti.com  
targetti@targetti.com

CCIAA Firenze  
Share Capital:  
€ 500.000,00  
VAT N. (IT):  
01537660480  
R.E.A.: FI-275656



# 1E3987EL | DART Round Medium Professional adjustable LED projector

## Mounting System



Colour Code

● 1E2825

Pole bracket.  
Anodised and powder coated aluminium.  
Pole Ø 60mm (+/-2mm).



Colour Code

● 1E3027

Pole multiple mounting system.  
Powder coated stainless steel.  
To be completed with 1E2825.  
Max 4 projectors.

## Connector



Code

1E2769

Linear connection box IP66/IP68.  
5 poles max. wire section 1.5mm<sup>2</sup>.  
Cable diameter range from 7 to 12mm.



Code

1E2494

Multiple connection box IP68.  
1 IN - 3 OUT 4 poles max. wire section 2.5mm<sup>2</sup>.  
Cable diameter range from 6 to 12mm.

## Tool

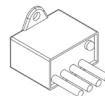


Code

1E3305

Tightening wrench for the connector kit.

## Surge protector



Code

A013A

Surge protector compatible with CLASS I lighting fixtures.  
Operating voltage 230-277Vac.  
SPD type 2+3.  
Max surge protection 10kV.  
CLASS I  
IP67

Due to the technological evolution of the electronic components, the data provided may be updated, and as such, confirmation must be requested during the order process.  
Luminous flux and power supply have +/-10% tolerances with respect to the indicated value. tq +25°C (CIE 121).

We reserve the right to make technical changes.

Targetti Sankey S.r.l.  
Via Pratese, 164  
50145 Firenze - Italy  
Tel: +39 055 37911  
targetti.com  
targetti@targetti.com

CCIAA Firenze  
Share Capital:  
€ 500.000,00  
VAT N. (IT):  
01537660480  
R.E.A: FI-275656

**TARGETTI**